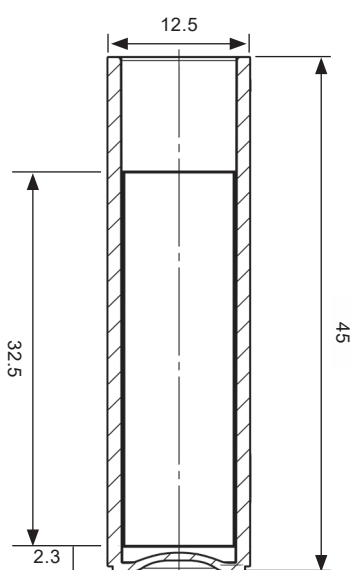


# Cuvette, macro

## 759005 | 759070D | 759071D

PRODUCT  
INFORMATION



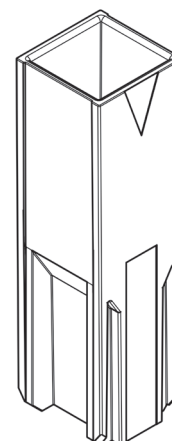
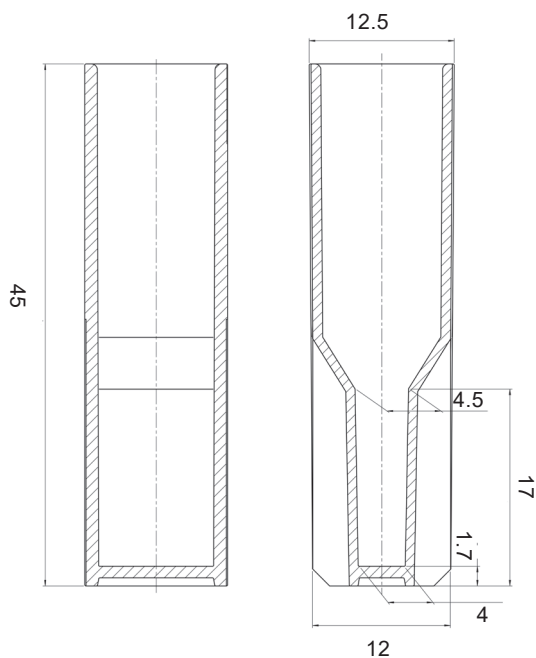
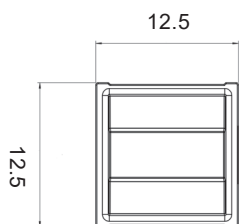
Dimensions in mm

<b>Filling volume min.</b>	2.5 ml
<b>Light path</b>	10 mm
<b>Material</b>	PS

Subject to technical modification without notice. Errors excepted.

# Cuvette, semi-micro

## 759015 | 75075D | 75076D



Dimensions in mm

<b>Filling volume min.</b>	1.5 ml
<b>Light path</b>	10 mm
<b>Material</b>	PS

Subject to technical modification without notice. Errors excepted.